

Trimline Wide trims

FOR FRONT AND TUNNEL MODELS



Our wide trims for various Front and Tunnel gas fires

The 50mm trims will make the looks of the fire more robust and well finished. Another big advantage is the easy built-in and finishing of the chimneybreast around the fire. By offering these trims as an option you can choose between the standard trimless & slim built-in method or this more robust and finished looks

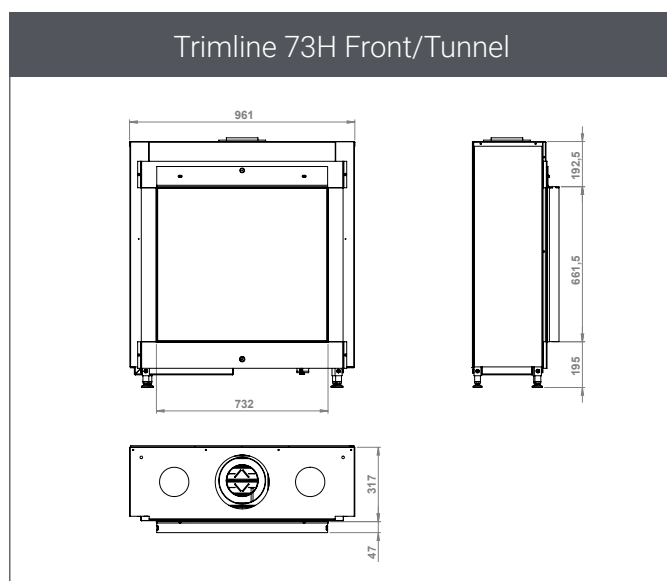
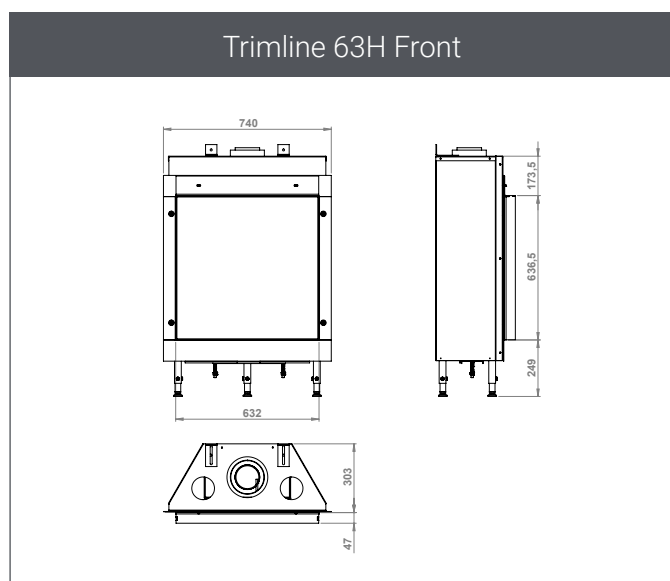
The trims have a 4mm material thickness and are painted in the same color as the fireplace.

Installation of the trims needs to be executed before starting to build the chimneybreast and is quick and easy.

If you are servicing the fire the bottom and side trims can be removed easily before the glass can be taken out.

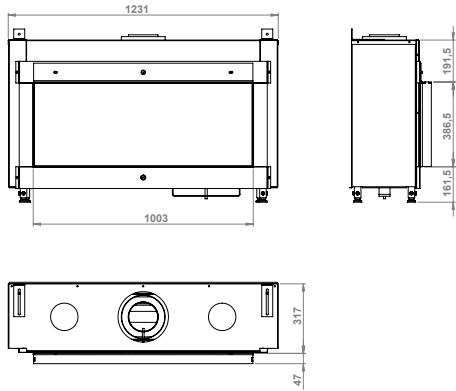


Trimline models

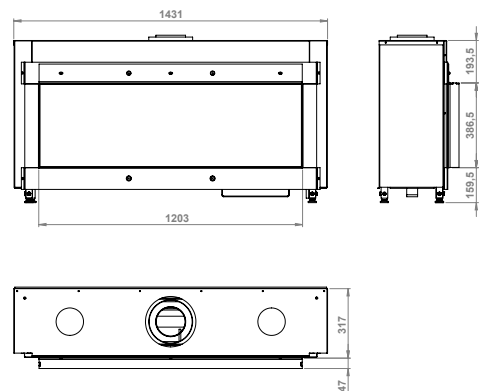


Trimline models

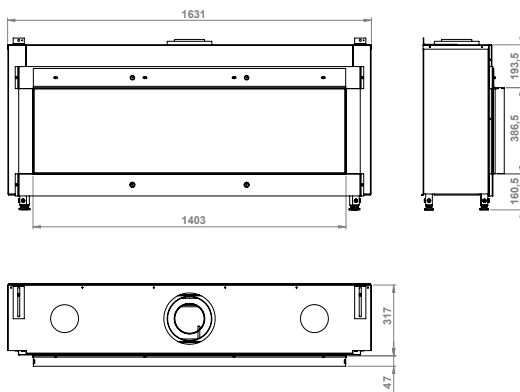
Trimline 100 Front/Tunnel



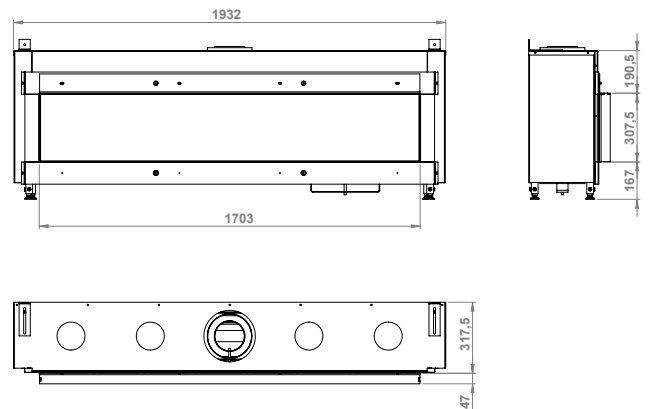
Trimline 120 Front/Tunnel



Trimline 140 Front/Tunnel



Trimline 170 Front



Trimline 73 Front

